

135 GPM Sanitary Deaeration Unit

GasTran Systems

- ◆ **Flowrate range from 10 gpm—135 gpm**
- ◆ **Reduces dissolved oxygen to less than 300 ppb (parts per billion) at 48°F using vacuum**
- ◆ **Reduces dissolved oxygen to less than 50 ppb using nitrogen or carbon dioxide as a stripping gas**
- ◆ **Sanitary/Cleanable design**
- ◆ **Handles temperatures up to 212°F**
- ◆ **Small overall footprint and height**

GasTran Systems

1768 East 25th St.
Cleveland, OH 44114

Phone: 216-391-7780

Toll Free: 866-GASTRAN

Fax: 216-291-7004

david.florez@gastransfer.com

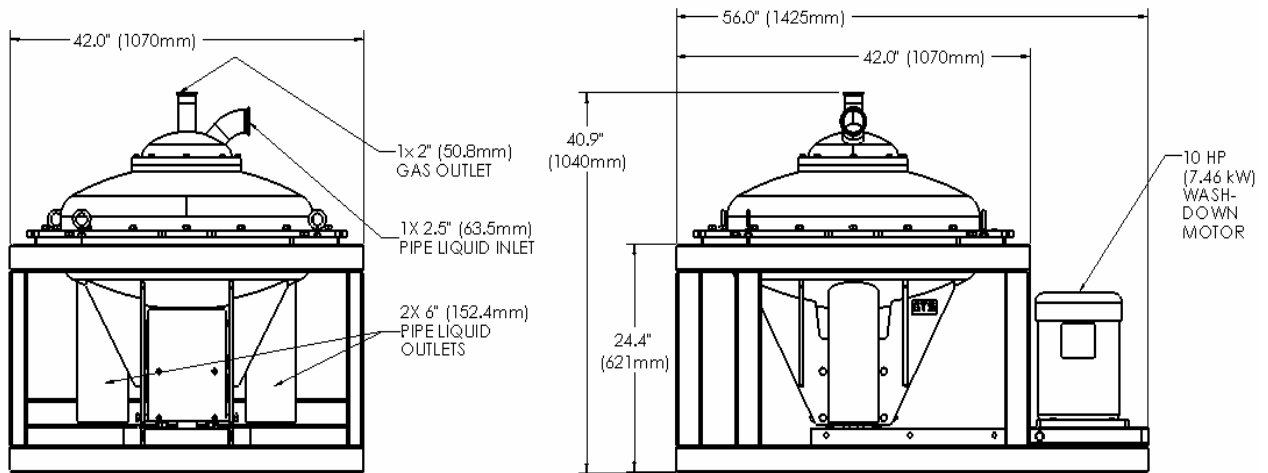


Process Equipment Process Engineering Process Solutions

Principle of Operation

GasTran Units use specially engineered materials to shear an incoming fluid stream into extremely fine droplets. This process dramatically increases the surface area of the fluid to facilitate the removal of oxygen down to ultra-low levels. GasTran Process Intensification Technology is significantly more efficient than current alternatives because it is continuously shearing and coalescing the liquid exposing surface area to the stripping gas medium or to vacuum.

135 GPM Deaeration System Dimensions



Specifications

Power Requirements	10 HP
Pressure Range	Full Vacuum—15 psig
Temperature Range	32°F (0°C) - 212°F (100°C)
Interior Tank Surface Finish	32 RA
Weight	1100 lbs
Connections	Tri-Clamp Fittings (std)
Liquid Flowrate Range	10 gpm—135 gpm
Max Gas Flowrate (if applicable)	100 scfm
Maximum Rotor Speed	1000 RPM

For other configurations consult factory

Materials

Material of Construction	Stainless Steel—304 or 316 (For other materials contact factory)
Rotor	Stainless Steel—300 Series & 400 Series
Mechanical Seal	Flushable, Sanitary Seal—300 Series Stainless Steel, Carbon, PTFE, EP, SiC, & HASTELLOY
Bearings	Sanitary, 300 Series Stainless Steel & HPNP Steel
Pulleys & Bushings	High Phosphorous Nickel Plated (HPNP) Steel
Belt	Urethane (Standard) or Neoprene
Motor	NEMA Washdown
O-Rings	Viton, Silicone

GasTran Systems

1768 East 25th St.
Cleveland, OH 44114

Phone: 216-391-7780
Toll Free: 866-GASTRAN
Fax: 216-291-7004
david.florez@gastransfer.com

GasTran Systems equipment is not designed for outdoor installations. Machine requires voltage indicated on motor, and failures caused by improper voltage or electrical connection are not considered factory defects.

Operation at temperatures, pressures, or conditions outside of limitations, or operation of the unit without soft-start, with a dry shaft seal, or opening or servicing of the unit without written permission of GasTran Systems constitutes misuse under the terms of GasTran Systems Manufacturers Limited Warranty, and results in loss of warranty coverage. Specifications and designs are subject to change without notice.

Patented

© GasTran Systems 2007

Process Equipment Process Engineering Process Solutions

